

Three Phase Inverter

Omniksol-10k/12k/15k-TL/Omniksol-17k/20k-TL1



Product features

Features

- Transformerless with the three level Topology
- Max efficiency up to 98.0%
- Dual MPPT inputs accommodating wide voltage range
- Compact structure design
- Simple local setting

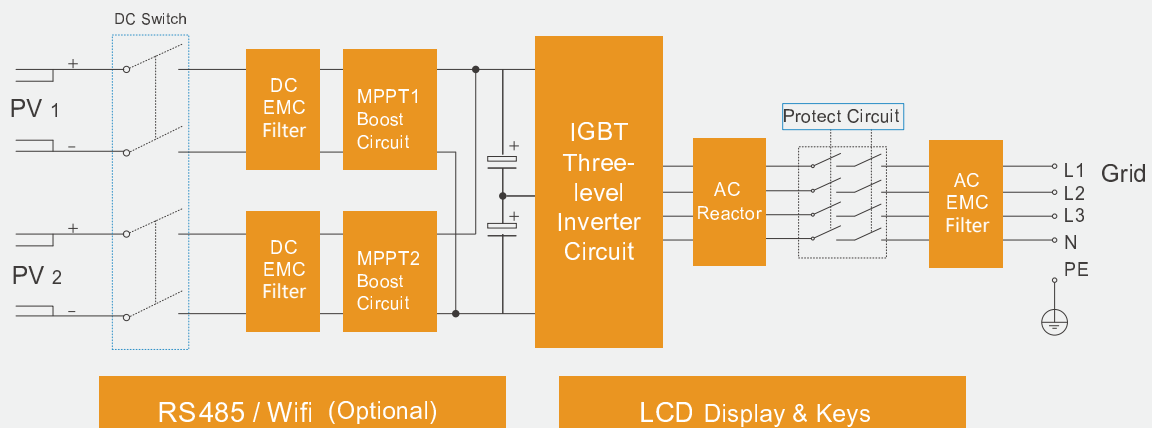
Flexibility

- Indoors and outdoors usage (IP65)
- Easy installation and free maintenance
- RS485/WiFi(optional) communication
- Multi-lingual display with large LCD screen

Reliability

- Reliable protection for over/under voltage, antiislanding, short circuit, overload, etc.
- 5-year quality warranty extends to 15 years (optional) exclusively
- Comply with VDE0126-1-1, EN62109 - 1,EN62109-2,G59/2,AS/NZS 3100,AS4777.2,AS4777.3,VDE-AR-N-4105,CQC etc.

Block Diagram



Technical Date

Omniksol-10k/12k/15k-TL/Omniksol-17k/20k-TL1

Inverter Model	Omniksol-10k-TL	Omniksol-12k-TL	Omniksol-15k-TL	Omniksol-17k-TL1	Omniksol-20k-TL1
Input (DC)					
Max DC power	10200 W	12250 W	15340 W	17410 W	20500 W
Max DC voltage	1000 V	1000 V	1000 V	1000 V	1000 V
Full load MPPT Voltage Range / Rated Voltage	300-800V/610V	380-800V/610V	380-800V/610V	430-800V/610V	500-800V/610V
Max input current input A/input B	20A/20A	20A/20A	20A/20A	20A/20A	20A/20A
Start up Voltage / On-grid Voltage	160/200V	160/200V	160/200V	160/200V	160/200V
Number of MPP trackers /Strings per tracker	2/2	2/2	2/2	2/2	2/2
Output (AC)					
AC nominal power (@230V,50HZ)	10 KW	12 KW	15 KW	17 KW	20 KW
Max nominal apparent power	10 KVA	12 KVA	15 KVA	17KVA	20KVA
Nominal AC voltage	3/N/PE 220V/380V	3/N/PE 220V/380V	3/N/PE 220V/380V	3/N/PE 220V/380V	3/N/PE 220V/380V
	3/N/PE 230V/400V	3/N/PE 230V/400V	3/N/PE 230V/400V	3/N/PE 230V/400V	3/N/PE 230V/400V
	3/N/PE 240V/415V	3/N/PE 240V/415V	3/N/PE 240V/415V	3/N/PE 240V/415V	3/N/PE 240V/415V
AC voltage range	176V-276V	176V-276V	176V-276V	176V-276V	176V-276V
AC grid frequency	50Hz/60Hz	50Hz/60Hz	50Hz/60Hz	50Hz/60Hz	50Hz/60Hz
Max output current	16A	19A	24A	25A	30A
Power factor(adjustable)	0.8leading-0.8lagging				
Harmonics(THD)	<3%	<3%	<3%	<3%	<3%
Efficiency					
Max efficiency	98.0%	98.0%	98.0%	98.0%	98.0%
Euro efficiency	97.2%	97.3%	97.5%	97.5%	97.5%
MPPT efficiency	99.9%	99.9%	99.9%	99.9%	99.9%
General data					
Dimensions (W / H / D)	540 / 660/ 192mm	540 / 660/ 192mm	540 / 660/ 192mm	540 / 660/ 192mm	540 / 660/ 192mm
Weight	40kg	40kg	40kg	40kg	41kg
Operating temperature range	-25°C ~ +60°C	-25°C ~ +60°C	-25°C ~ +60°C	-25°C ~ +60°C	-25°C ~ +60°C
Degree of protection (according to IEC 60529)	IP65	IP65	IP65	IP65	IP65
Climatic category (according to IEC 60721-3-4)	4K4H	4K4H	4K4H	4K4H	4K4H
Internal consumption: (night)	<1W	<1W	<1W	<1W	<1W
Topology structure	Transformerless	Transformerless	Transformerless	Transformerless	Transformerless
Cooling method	Fans	Fans	Fans	Fans	Fans
Noise (typical)	<50 dB	<50 dB	<50 dB	<50 dB	<50 dB
Screen display	LCD	LCD	LCD	LCD	LCD
Humidity	0-100%,non-condensing				
Communication(RS485/WiFi)	Yes/Opt.				
Warranty(5 / 10 / 15 years)	Yes/Opt./Opt.	Yes/Opt./Opt.	Yes/Opt./Opt.	Yes/Opt./Opt.	Yes/Opt./Opt.

Address: XingHu Rd. Nr. 218 bioBAY Park A4-414,
215123, SuZhou, China
Tel: +86-512-6956-8216
Fax: +86-512-6295-6682
E-mail: sales@omnik-solar.com
Website: http://www.omnik-solar.com

Products updating continues. Any data change will not be informed exclusively.
Omnik company reserves the right of final interpretation of product technical data and copyrights.



Omnik New Energy Co., Ltd.